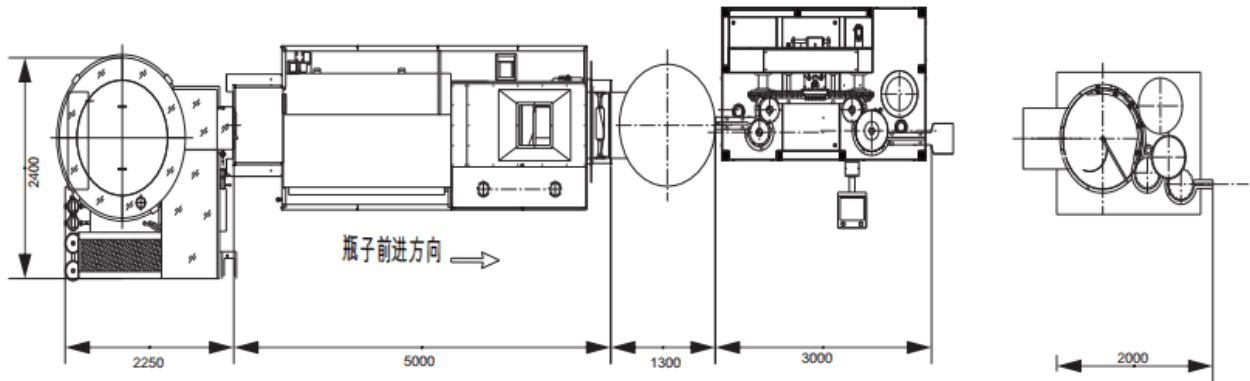


VIAL BOTTLE FREEZE-DRIED POWDER PRODUCTION LINE



Equipment Brief introduction:

This line mainly use for vial bottle freeze-dried powder's liquid filling, It's made up of ultrasonic bottle washing machine? tunnel drying sterilizer? automatic filling half-stoppering machine? automatic sealing machine? labeling machine.

It can finished vial bottle washing? drying and sterilizer? liquid filling and half-stoppering? automatic sealing and labeling, the whole line interlocking control conforms to the requirements of the pharmaceutical production.

It can according to customer technology and production requirements, equipment upgrading and upgrading.

Product No	APKXY-2	APKXY-4	APKXY-6	APKXY-8
Applicable specificatio n	40-50b// m	80-100B/M	100-250 B/M	300-450 B/M
Filling error				

--